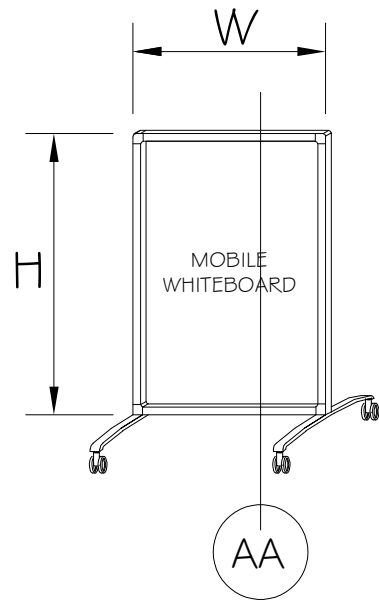
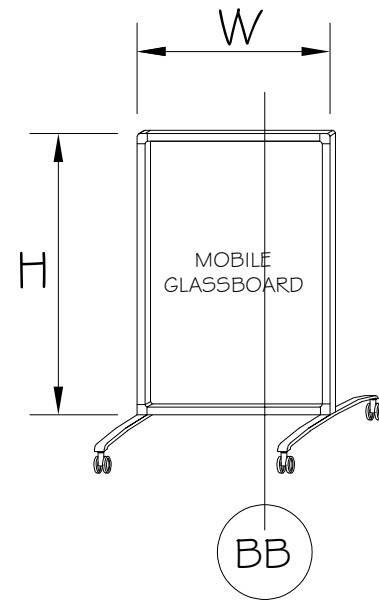


**ELEVATIONS:**



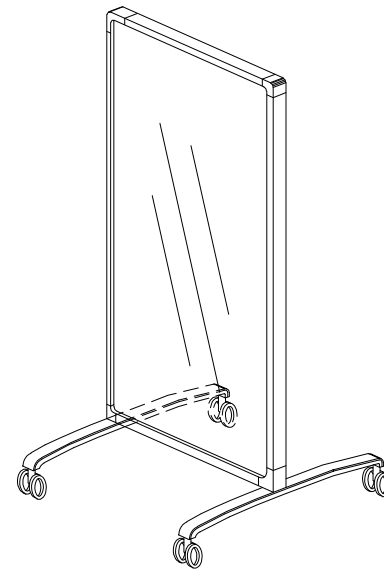
DOUBLE SIDED PORCELAIN ENAMEL WRITING SURFACE.



DOUBLE SIDED GLASS MARKERBOARDS.

OPTIONS

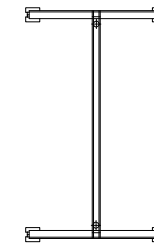
- NON MAGNETIC
- MAGNETIC



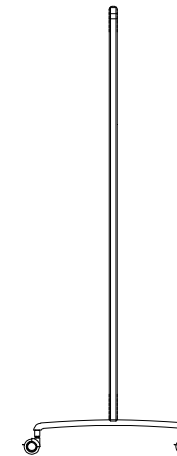
**SIZE CODE:**

- 5436 - 54"(H) X 36"(W)
- 5448 - 54"(H) X 48"(W)
- 6036 - 60"(H) X 36"(W)
- 6048 - 60"(H) X 48"(W)
- 6636 - 66"(H) X 36"(W)
- 6648 - 66"(H) X 48"(W)

**BASE VIEW:**



**SIDE VIEW:**



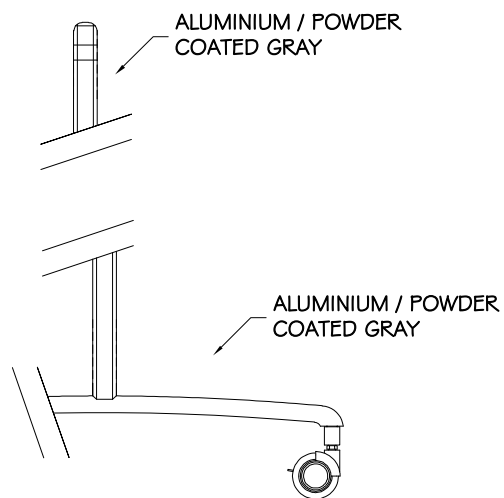
**DESCRIPTION:**

ASI VDP ALUMINIUM FRAMED MOBILE UNITS

STANDARD COLOR FINISH:  
POWDER COATED GRAY

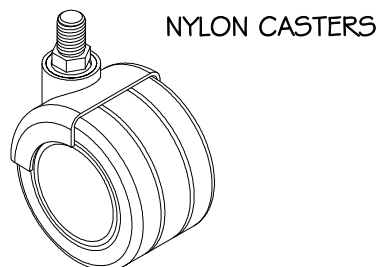
- C/W
- (2) LOCKING CASTERS
- (2) NON LOCKING CASTERS

**SECTION**



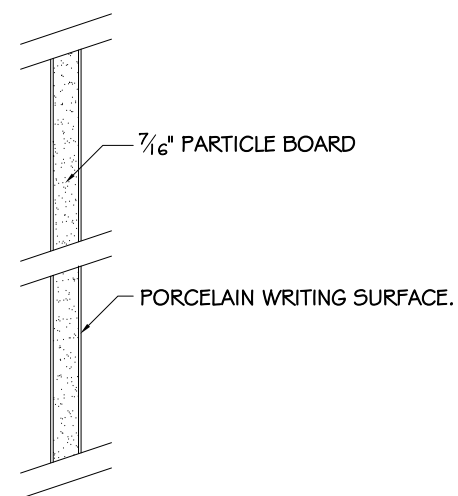
ALUMINIUM / POWDER COATED GRAY

ALUMINIUM / POWDER COATED GRAY



NYLON CASTERS

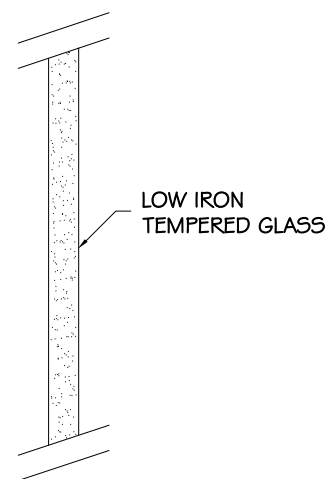
**SECTION AA**



7/16" PARTICLE BOARD

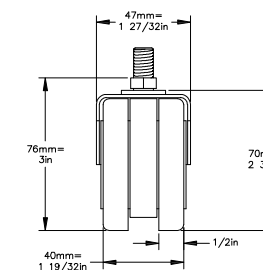
PORCELAIN WRITING SURFACE.

**SECTION BB**

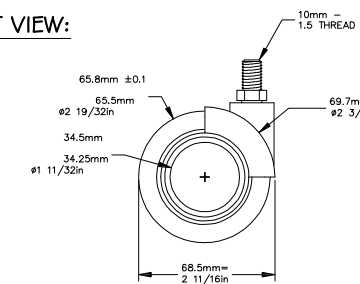


LOW IRON TEMPERED GLASS

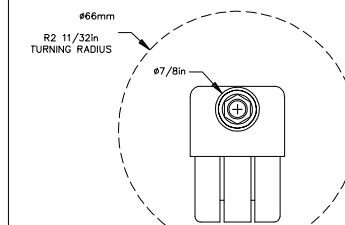
**CASTERS:**



FRONT VIEW:



RIGHT VIEW:



TOP VIEW:

**PRODUCT CODE:**

|        |       |         |      |
|--------|-------|---------|------|
| 99     | 02    | xx      | xxx  |
| SERIES | BOARD | SURFACE | SIZE |

**SURFACE MATERIAL :**

- 11 - PORCELAIN
- 88 - GLASS NON MAGNETIC
- 89 - GLASS MAGNETIC

NOTES AND/OR APPROVAL



2210 Dunwin Drive Mississauga, Ontario L5L 1C7  
Phone: (905) 822-4287  
www.asi-visualdisplayproducts.com

F:\ACADR\4\FILENAME  
TDS MOBILE WHITE BOARDS

PAGE NO.  
1 OF 1

DRAWN BY:  
U. HERNANDEZ

DATE:  
26 APRIL 2023