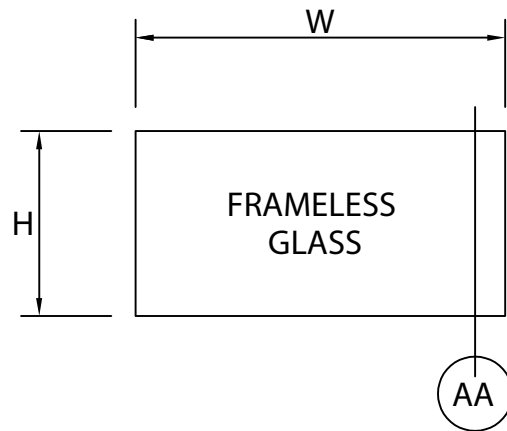


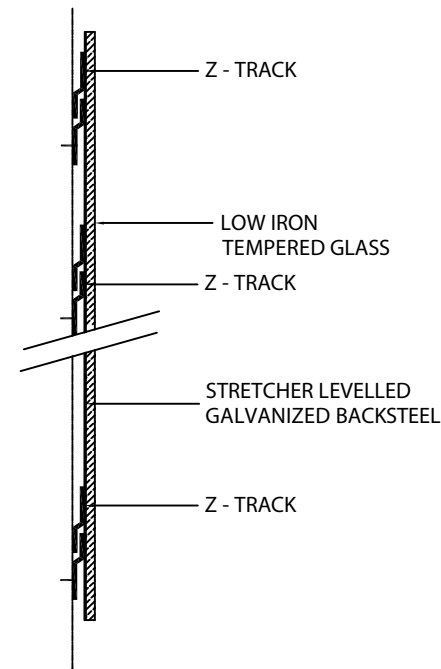
**ELEVATIONS:**

FRAMELESS



**SECTION AA**

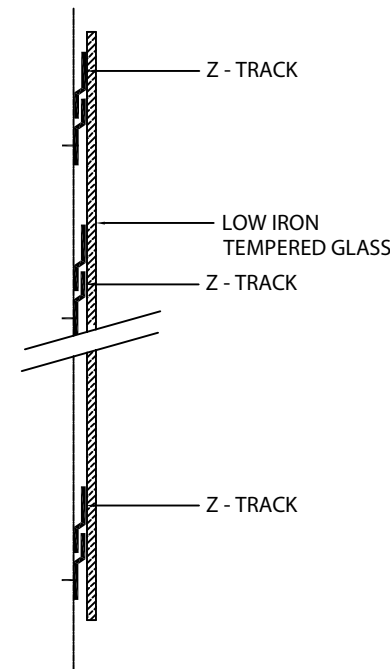
FRAMELESS MAGNETIC  
GLASS MARKER BOARD



**STYLE 31**  
MAGNETIC

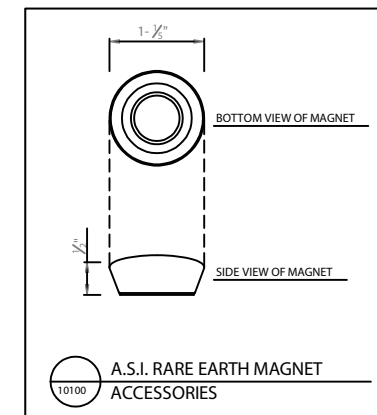
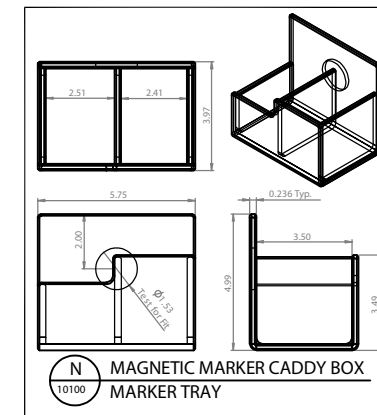
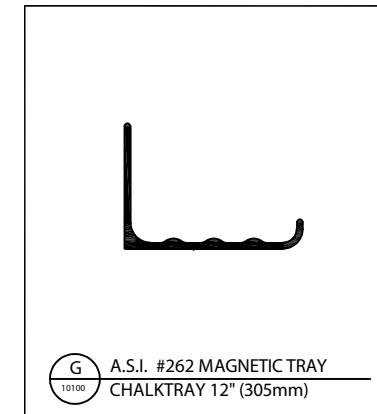
**SECTION AA**

FRAMELESS NON-MAGNETIC  
GLASS MARKER BOARD



**STYLE 21**  
NON-MAGNETIC

**ACCESSORIES**  
FOR MAGNETIC GLASS MARKER BOARDS



**FRAMELESS GLASS BOARD :**

SERIES 9800 "GLASS MARKER BOARD"  
1/4" LOW IRON TEMPERED GLASS

**DESCRIPTION:**

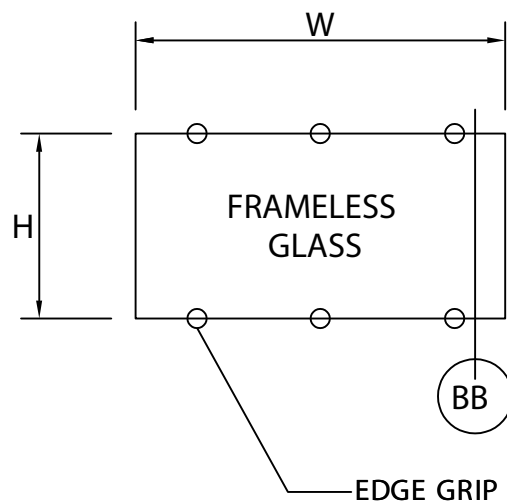
- 9800 SERIES "GLASS MARKER BOARD"**
- 20 EDGE GRIP NON MAGNETIC
  - 30 EDGE GRIP MAGNETIC
  - 21 NON - MAGNETIC
  - 31 MAGNETIC

**OPTIONAL ACCESSORIES:**

- 4PK ASSORTED MARKERS
- 12PK ASSORTED MARKERS
- MAGNETIC TRAY 12"
- RARE EARTH MAGNETS
- WHITE PLASTIC CADDY BOX

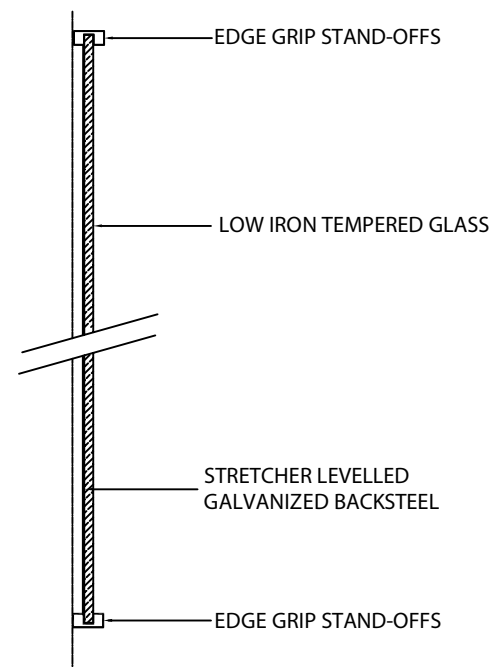
**ELEVATIONS:**

EDGE GRIPS



**SECTION BB**

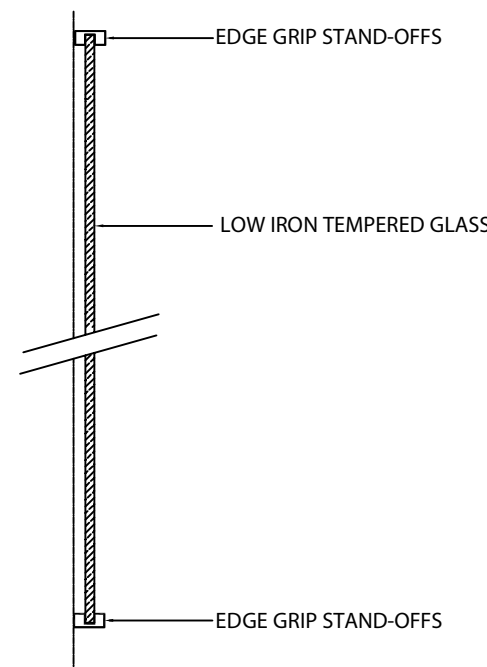
FRAMELESS EDGE GRIP MAGNETIC  
GLASS MARKER BOARD



**STYLE 20**  
MAGNETIC

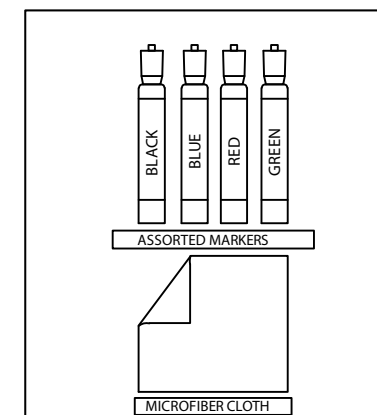
**SECTION BB**

FRAMELESS EDGE GRIP NON-MAGNETIC  
GLASS MARKER BOARD



**STYLE 30**  
NON-MAGNETIC

**ACCESSORIES**  
FOR GLASS MARKER BOARDS



**PRODUCT CODE:**

98	08	XX	YXX	XXX
SERIES	BOARD	MOUNT	SIZE	COLOUR

**MOUNTING METHOD OPTION:**

- "Z" TRACK #544515
- EDGE GRIPS MOUNTING

NOTES AND/OR APPROVAL



2210 Dunwin Drive Mississauga, Ontario L5L 1C7  
Phone: (905) 822-4287  
www.asi-visualdisplayproducts.com

F:\ACADR14\FILENAME  
TDS SERIES 9800 GLASS MARKER BOARD

PAGE NO.  
1 OF 1

DRAWN BY:  
J. UGARTE

DATE:  
20 DECEMBER 2022