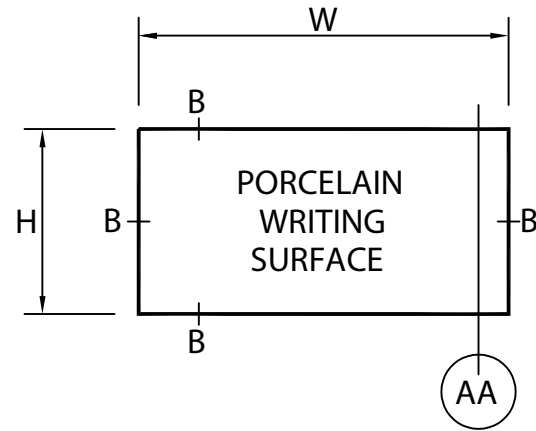


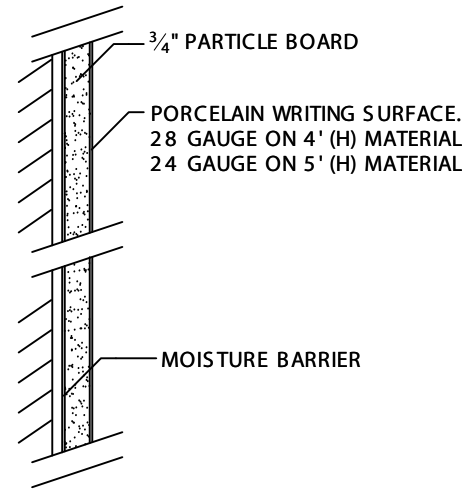
ELEVATIONS:

MARKER BOARDS:



SECTION AA

MARKER BOARD
OPTION 01



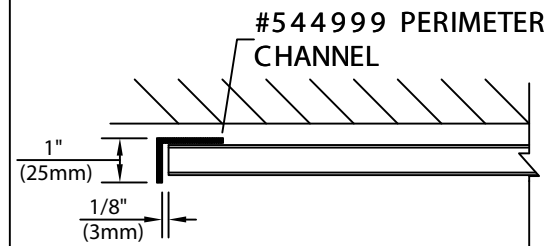
OPTIONAL COLOURS:

- 29 WHITE HIGH GLOSS
- 29L WHITE LOW GLOSS

TRIM DETAIL "B"

4 SIDED "ELITE REVEAL"
PERIMETER TRIM

"L" CHANNEL ON
MARKER BOARD:



ALUMINUM TRIM:

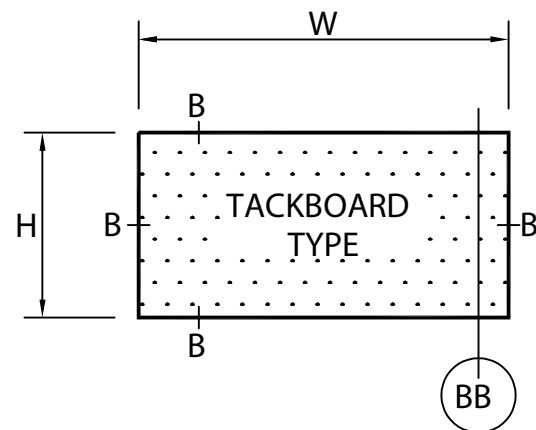
SERIES 9500 "ELITE REVEAL"
FINISH: CLEAR ANODIZED
FACE TRIM: 1/8"

DESCRIPTION:

- 9500 SERIES "PRE-FRAMED"
- 01 - WHITEBOARDS
 - 03 - FORBO TACKBOARDS

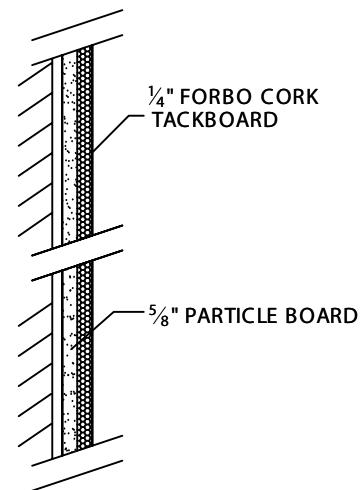
ELEVATIONS:

TACKBOARDS:



SECTION BB

FORBO TACKBOARD
OPTION 03



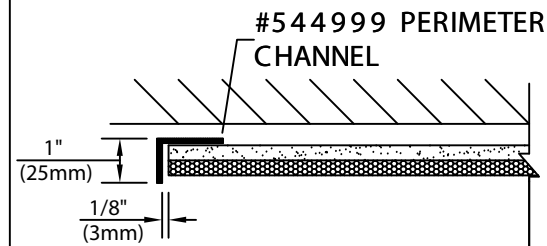
FORBO:

- 2162 DUCK EGG
- 2166 NUTMEG SPICE
- 2182 POTATO SKIN
- 2186 BLANCHED ALMOND
- 2187 BROWN RICE
- 2204 POPPY SEED
- 2206 OYSTER SHELL
- 2207 CINNAMON BARK
- 2208 MUSHROOM MEDLEY
- 2209 BLACK OLIVE
- 2210 HOT SALSA
- 2211 TANGERINE ZEST
- 2212 FRESH PINEAPPLE
- 2213 BABY LETTUCE
- 2214 BLUE BERRY

TRIM DETAIL "B"

4 SIDED "ELITE REVEAL"
PERIMETER TRIM

"L" CHANNEL ON FORBO
TACKBOARD:



PRODUCT CODE:

95	0X	XX	YXX	XXX
SERIES	BOARD	TRIM	SIZE	COLOUR

MOUNTING METHOD:

- "Z" TRACK #544515

NOTES AND/OR APPROVAL



2210 Dunwin Drive Mississauga, Ontario L5L 1C7
Phone: (905) 822-4287
www.asi-visualdisplayproducts.com

F:\ACADR14\FILENAME
TDS SERIES 9500 PRE-FRAMED

PAGE NO.
1 OF 1

DRAWN BY:
J. UGARTE

DATE:
20 DECEMBER 2022