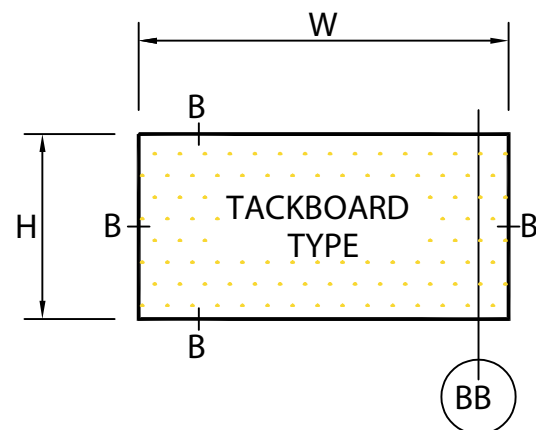
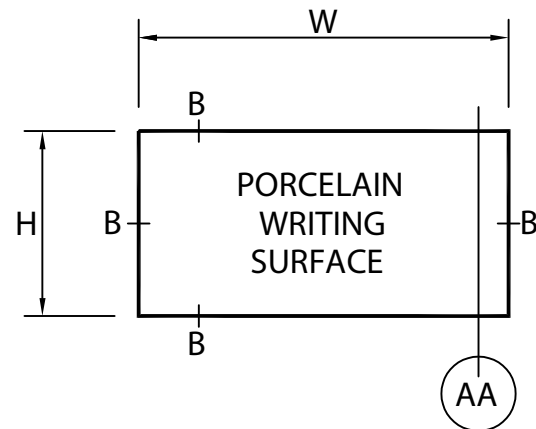


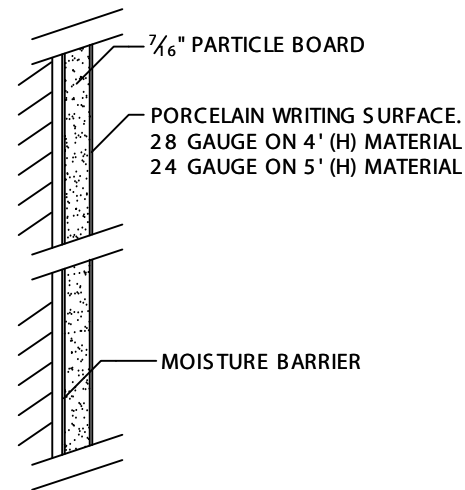
ELEVATIONS:

SQUARE CORNERS



SECTION AA

MARKER BOARD
OPTION 01

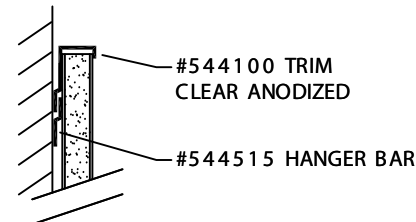


OPTIONAL COLOURS:

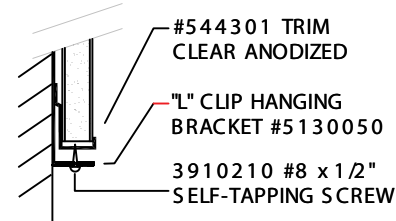
- 29 WHITE HIGH GLOSS
- 29L WHITE LOW GLOSS

TOP & BOTTOM TRIM DETAIL

REGULAR TRIM "B":

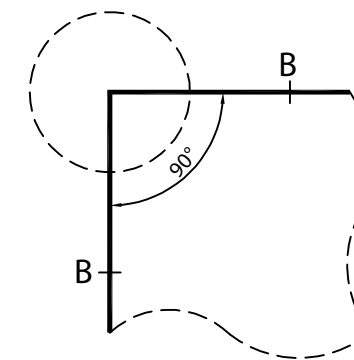


REGULAR TRIM "B":



CORNER DETAIL

SQUARE CORNER



ALUMINUM TRIM:

SERIES 9100 "SLIM TRIM"
FINISH: CLEAR ANODIZED
FACE TRIM: 1/4"

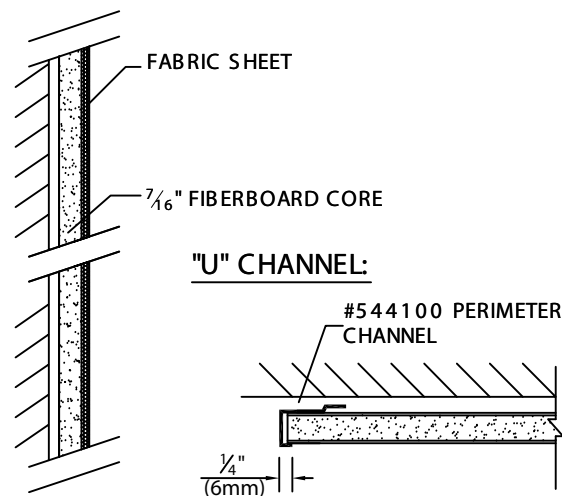
DESCRIPTION:

9100 SERIES "PRE-FRAMED" - SQUARE CORNERS

- 01 - WHITEBOARDS
- 02 - FABRIC TACKBOARDS
- 03 - FORBO TACKBOARDS
- 04 - NATURAL CORK TACKBOARDS
- 05 - VINYL TACKBOARDS

SECTION BB

FABRIC TACKBOARD
OPTION 02

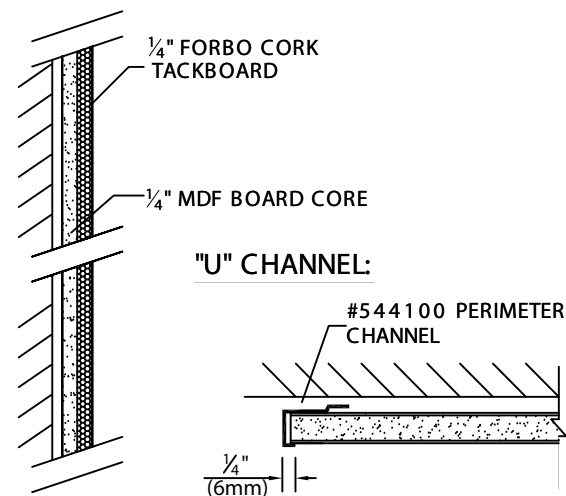


FABRIC:

- 5820 WHITE
- 5821 GOOSE
- 5822 STONE
- 5823 CAMEL
- 5824 WILLOW
- 5825 SILVER
- 5826 WOLF
- 5829 OLIVE
- 5832 BLUESTONE
- 5833 CHARCOAL
- 5834 APPLE
- 5836 BLACK
- 5837 PUMPKIN
- 5838 RED
- 5839 FOSSIL
- 5840 BURGUNDY
- 5841 NAVY
- 5842 GRAPHITE

SECTION BB

FORBO TACKBOARD
OPTION 03

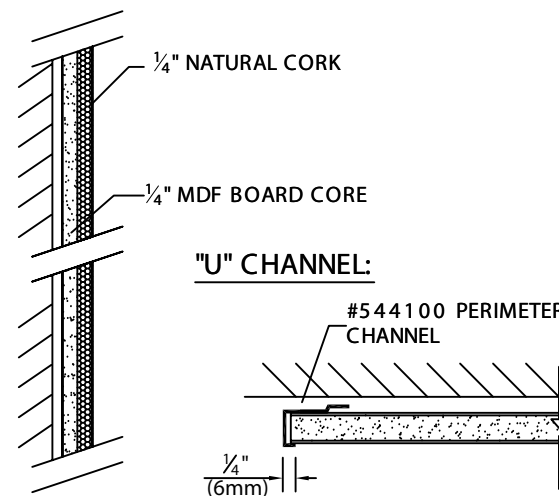


FORBO:

- 2162 DUCK EGG
- 2166 NUTMEG SPICE
- 2182 POTATO SKIN
- 2186 BLANCHED ALMOND
- 2187 BROWN RICE
- 2204 POPPY SEED
- 2206 OYSTER SHELL
- 2207 CINNAMON BARK
- 2208 MUSHROOM MEDLEY
- 2209 BLACK OLIVE
- 2210 HOT SALSA
- 2211 TANGERINE ZEST
- 2212 FRESH PINEAPPLE
- 2213 BABY LETTUCE
- 2214 BLUE BERRY

SECTION BB

NATURAL CORK TACKBOARD
OPTION 04

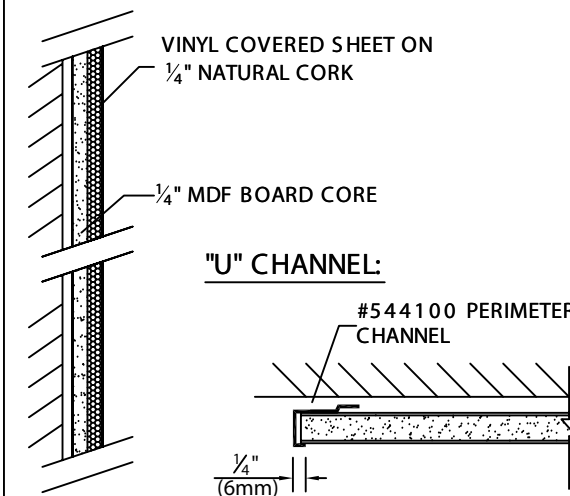


NATURAL CORK:

- FINE GRAIN NATURAL CORK

SECTION BB

VINYL TACKBOARD
OPTION 05



VINYL:

- 5921-54 EMBASSY CHARCOAL
- 5921-64 WHITE IRISH
- 5921-69 EMBASSY TAUPE
- 5921-98 SALEM GREY

PRODUCT CODE:

91	0X	XX	YXX	XXX
SERIES	BOARD	TRIM	SIZE	COLOUR

MOUNTING METHOD:

- "Z" TRACK #544515
- "L" CLIP HANGING BRACKET #5130050

NOTES AND/OR APPROVAL



2210 Dunwin Drive Mississauga, Ontario L5L 1C7
Phone: (905) 822-4287
www.asi-visualdisplayproducts.com

F:\ACADR14\FILENAME
TDS SERIES 9100 PRE-FRAMED

PAGE NO.
1 OF 2

DRAWN BY:
J. UGARTE

DATE:
20 DECEMBER 2022