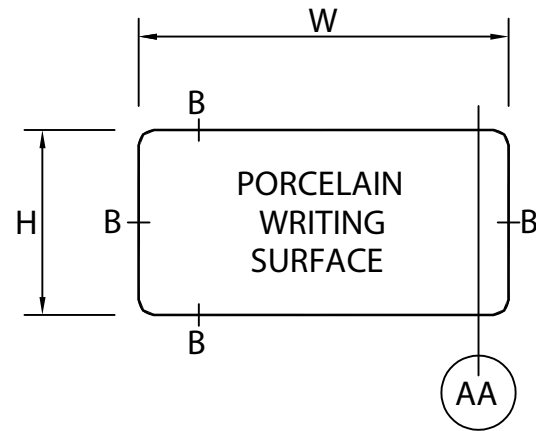


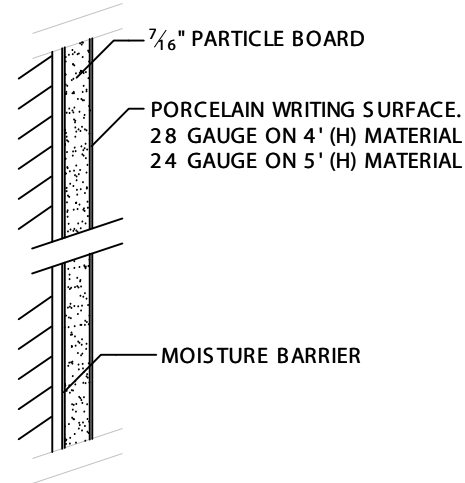
ELEVATIONS:

RADIUS CORNERS



SECTION AA

MARKER BOARD
OPTION 01

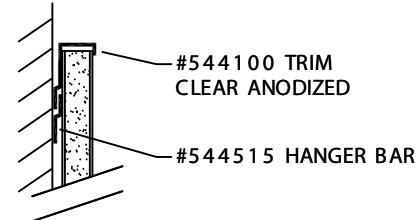


OPTIONAL COLOURS:

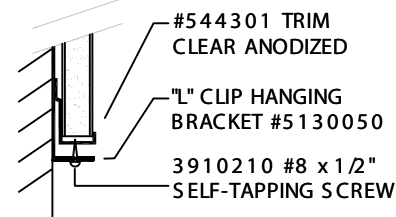
- 29 WHITE HIGH GLOSS
- 29L WHITE LOW GLOSS

TOP & BOTTOM TRIM DETAIL

REGULAR TRIM "B":

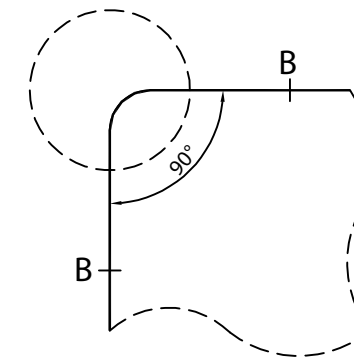


REGULAR TRIM "B":



CORNER DETAIL

RADIUS CORNER



ALUMINUM TRIM:

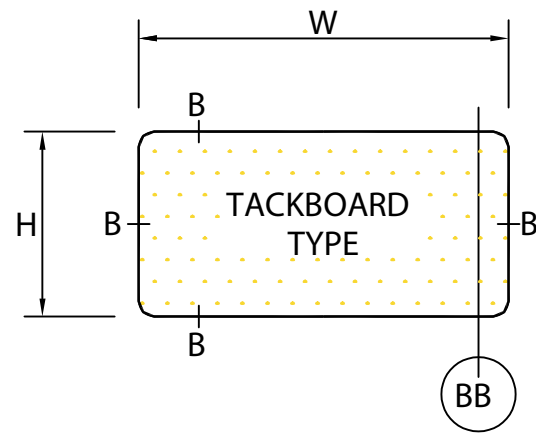
SERIES 9100 "SLIM TRIM"
FINISH: CLEAR ANODIZED
FACE TRIM: 1/4"

DESCRIPTION:

- 9100 SERIES "PRE-FRAMED" - RADIUS CORNERS
- 01 - WHITEBOARDS
 - 02 - FABRIC TACKBOARDS
 - 05 - VINYL TACKBOARDS

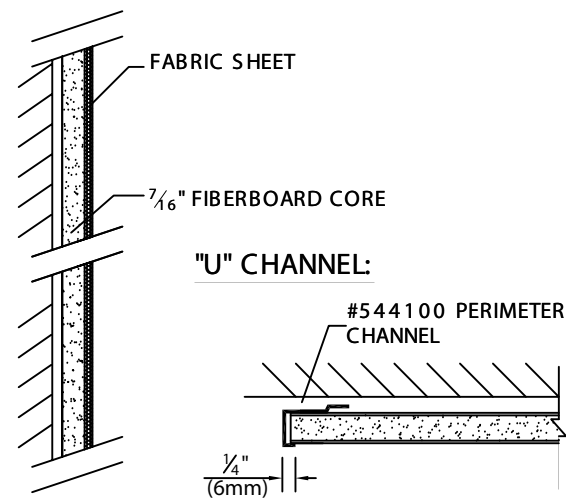
ELEVATIONS:

RADIUS CORNERS



SECTION BB

FABRIC TACKBOARD
OPTION 02

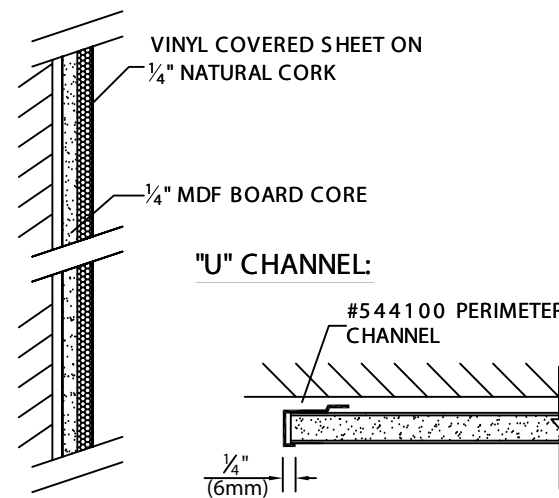


FABRIC:

- 5820 WHITE
- 5821 GOOSE
- 5822 STONE
- 5823 CAMEL
- 5824 WILLOW
- 5825 SILVER
- 5826 WOLF
- 5829 OLIVE
- 5832 BLUESTONE
- 5833 CHARCOAL
- 5834 APPLE
- 5836 BLACK
- 5837 PUMPKIN
- 5838 RED
- 5839 FOSSIL
- 5840 BURGUNDY
- 5841 NAVY
- 5842 GRAPHITE

SECTION BB

VINYL TACKBOARD
OPTION 05

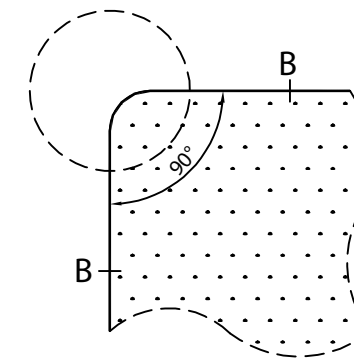


VINYL:

- 5921-54 EMBASSY CHARCOAL
- 5921-64 WHITE IRISH
- 5921-69 EMBASSY TAUPE
- 5921-98 SALEM GREY

CORNER DETAIL

RADIUS CORNER



PRODUCT CODE:

91	0X	XX	YXX	XXX
SERIES	BOARD	TRIM	SIZE	COLOUR

MOUNTING METHOD:

- "Z" TRACK #544515
- "L" CLIP HANGING BRACKET #5130050

NOTES AND/OR APPROVAL



2210 Dunwin Drive Mississauga, Ontario L5L 1C7
Phone: (905) 822-4287
www.asi-visualdisplayproducts.com

F:\ACADR14\FILENAME
TDS SERIES 9100 PRE-FRAMED

PAGE NO.
2 OF 2

DRAWN BY:
J. UGARTE

DATE:
20 DECEMBER 2022