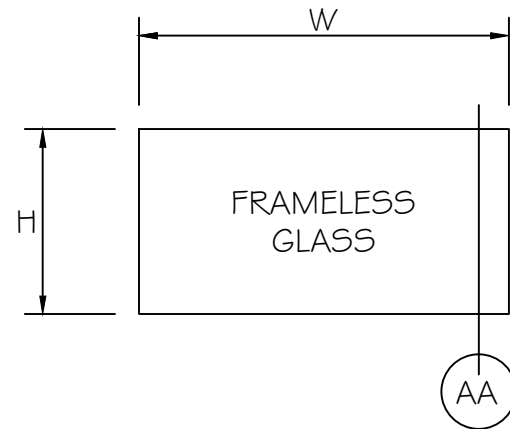


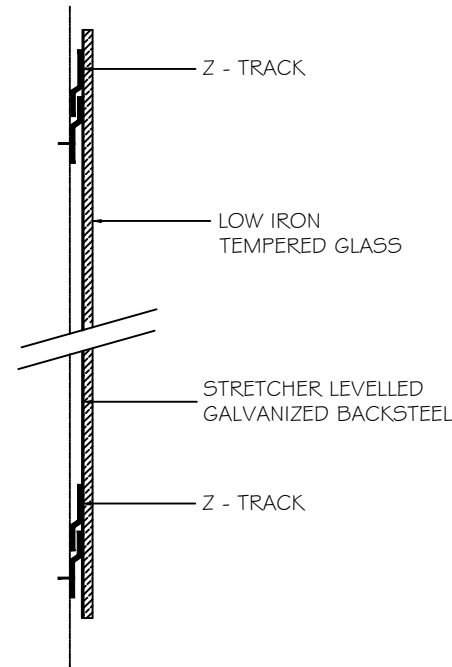
ELEVATIONS:

FRAMELESS



SECTION AA

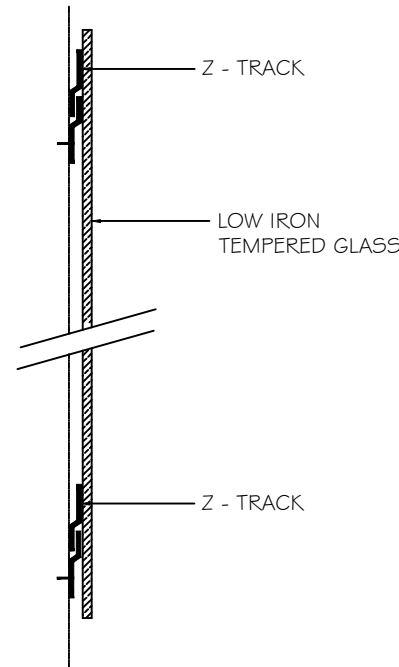
FRAMELESS MAGNETIC
GLASS MARKERBOARD



STYLE 31
MAGNETIC

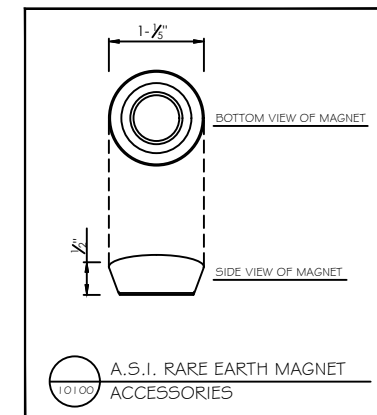
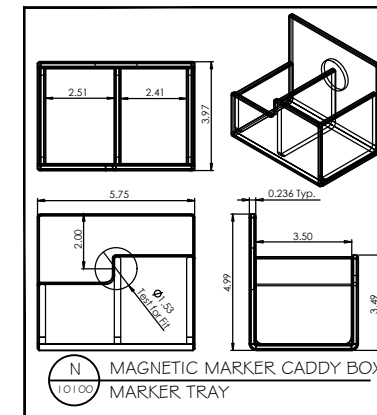
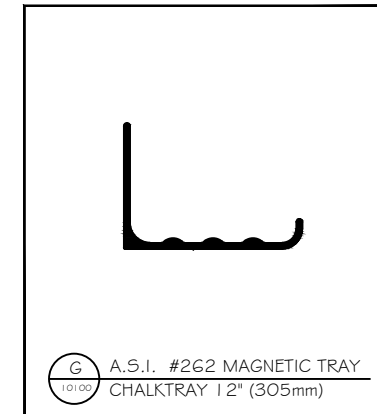
SECTION AA

FRAMELESS NON-MAGNETIC
GLASS MARKERBOARD



STYLE 21
NON-MAGNETIC

ACCESSORIES
FOR MAGNETIC GLASS MARKERBOARDS



FRAMELESS GLASS BOARD :

SERIES 9800 "GLASS MARKERBOARD"
1/4" LOW IRON TEMPERED GLASS

DESCRIPTION:

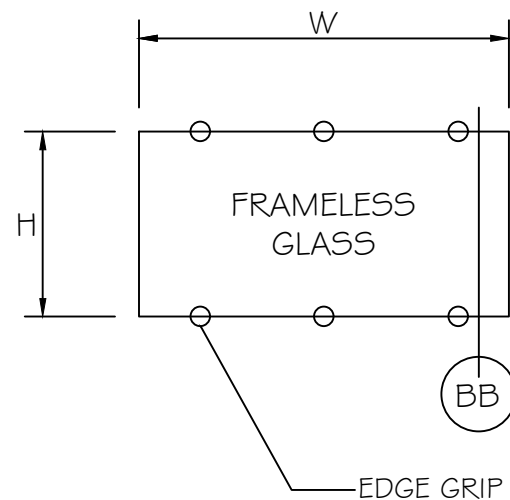
- 9800 SERIES "GLASS MARKERBOARD"
- 20 EDGE GRIP NON MAGNETIC
 - 30 EDGE GRIP MAGNETIC
 - 21 NON - MAGNETIC
 - 31 MAGNETIC

OPTIONAL ACCESSORIES:

- 4PK ASSORTED MARKERS
- 12PK ASSORTED MARKERS
- MAGNETIC TRAY 12"
- RARE EARTH MAGNETS
- WHITE PLASTIC CADDY BOX

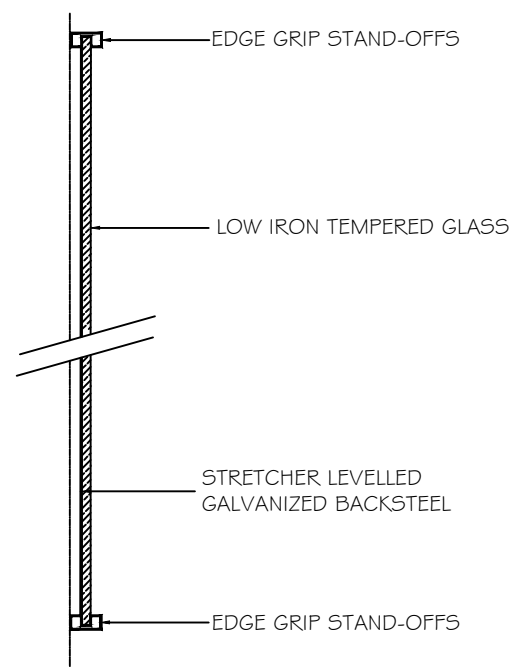
ELEVATIONS:

EDGE GRIPS



SECTION BB

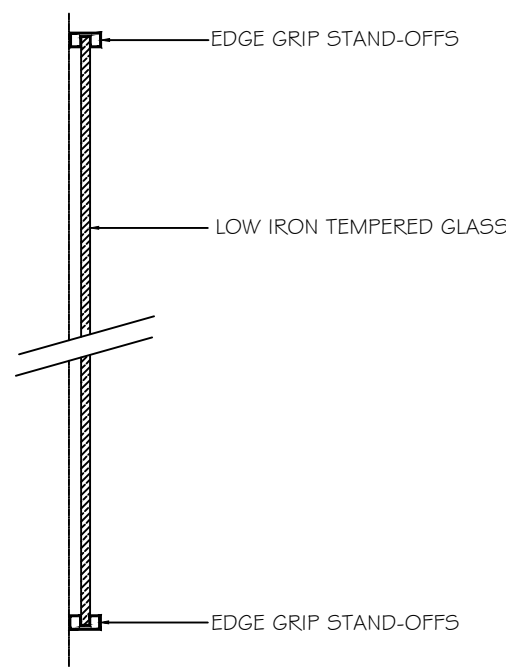
FRAMELESS EDGE GRIP MAGNETIC
GLASS MARKERBOARD



STYLE 30
MAGNETIC

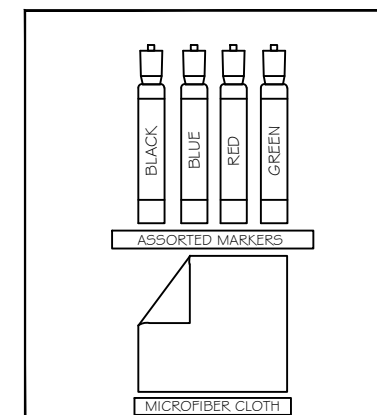
SECTION BB

FRAMELESS EDGE GRIP NON-MAGNETIC
GLASS MARKERBOARD



STYLE 20
NON-MAGNETIC

ACCESSORIES
FOR GLASS MARKERBOARDS



PRODUCT CODE:

98	08	XX	YXX	XXX
SERIES	BOARD	MOUNT	SIZE	COLOUR

MOUNTING METHOD OPTION:

- "Z" TRACK #544515
- EDGE GRIPS MOUNTING

NOTES AND/OR APPROVAL



2301 East High Ave New Philadelphia, OH 44663
Phone: (330) 308 8667
www.asi-visualdisplayproducts.com

F:\ACADR\4\FILENAME	PAGE NO.
TDS SERIES 9800 GLASS MARKERBOARD	1 OF 1

DRAWN BY: H. GAMEZ
DATE: 15 NOVEMBER 2024