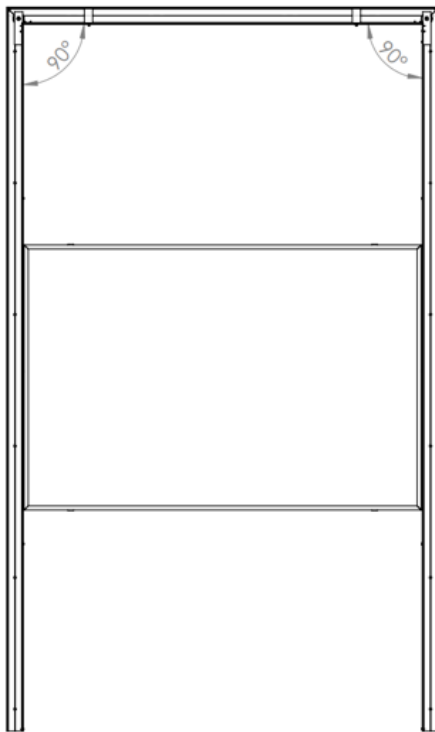
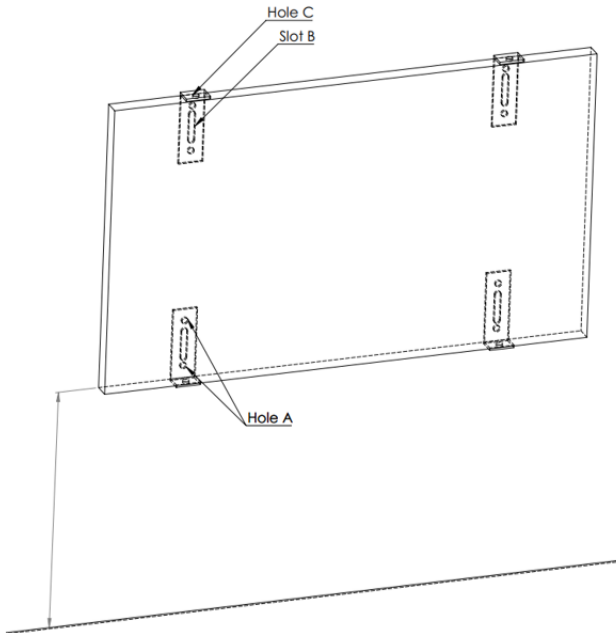


You will need:

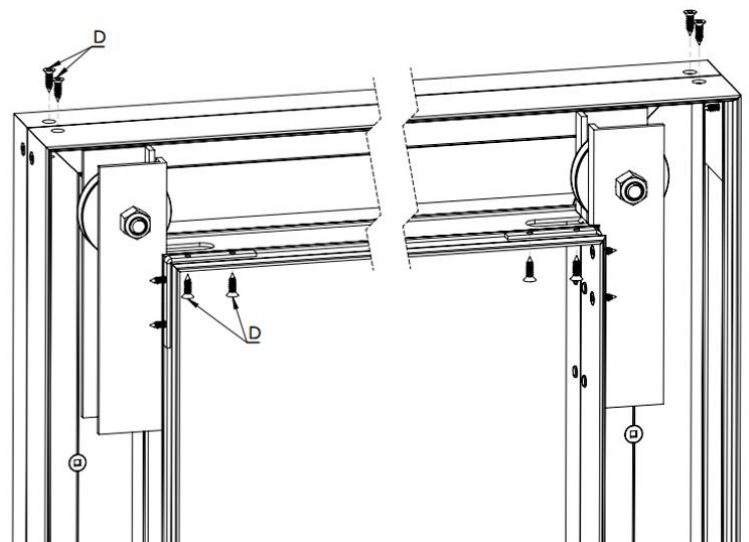
- Level
- Tape Measure
- Pencil

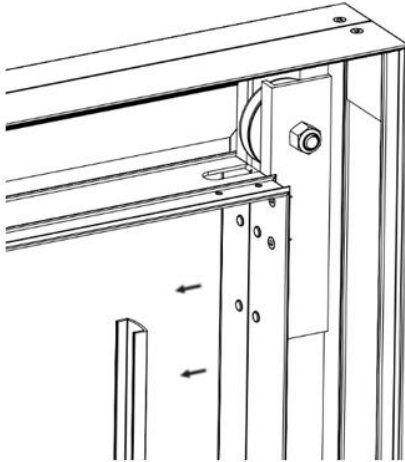
- Appropriate hardware for your wall type (not included)
- Drill/Electric Screwdriver

Installation:



- 1** Begin installing fixed whiteboard to wall. Start by measuring desired height from the finished floor, mark with tape. Remove clips from hardware kit. Locate studs and fasten bottom clips through holes A. Directly above the bottom clip, fasten top clip through slot B at a height 1/4" higher than board height.
Note: Larger boards may have more clips. Fasteners to wall not provided.
- 2** Set board in place and tap top clips down to top of board. Using screws from hardware kit fasten clips to board through hole C on top and bottom clips.
Note: Screws are self-drilling, use electric drill with Robertson #2 bit to install.
- 3** On flat surface begin to assemble the frame. Align the mitered corners on the frame to create an inverse U-shape.
- 4** On the exterior corners of the frame add screws to fasten the frame to the corner brackets.
- 5** On the exterior corners of the frame add screws to fasten the frame to the corner brackets. Stand the frame up and attach to wall.





6 Plastic U moulding used for whiteboard travel is attached to the frame on both sides. Unscrew one moulding and place whiteboard into both mouldings and reattach. (*Cables are on the top of the whiteboard*)

7 Feed cable into pulley system and attach weights. Ensure system works smoothly.

8 For single layer units place cover panel over the top, and sides. If covers are easily removed use rivets to secure. Repeat steps 2-7 for double layer units. (Instead of attaching to wall attach to existing frame assembly. Ensure frame is secure and not removable)

