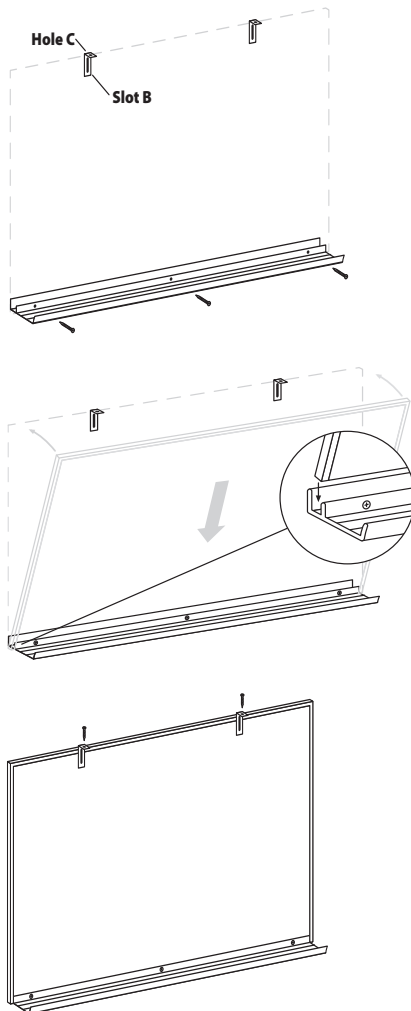


All of our boards are available fully assembled but we also have a unique alternative. Using our innovative “Easi Install” system, you can save on shipping, handling, and installation. Mounting the tray directly to the wall first allows the installer the flexibility to anchor directly to the wall at 16” centers. Once up, the framed unit simply drops in the tray and is fastened at the top either through the map rail or using simple L clips.

Installation:



- Boards lay flat for shipping and handling
- Allows distributors to stock 3 different styles of boards (*same board—3 optional trays*)
- Board is installed up to 10% faster
- Stronger installation
- Easier handling

You will need:

- Level
- Tape Measure
- Pencil
- Appropriate hardware for your wall type
- Drill/Electric Screwdriver
- Masking Tape

- 1 Fasten tray securely to wall (*provided loose*).
- 2 Remove clips from hardware kit.
- 3 Locate studs—if applicable—and fasten clips through slot B into studs (wall).
Note: larger boards may have 3 clips.
- 4 Set board in tray.
- 5 Tap down clips to sit on top of board. Using screws removed in step 1, fasten clips to board through hole C.
Note: screws are self drilling, use electric drill with Robertson #2 bit to install.