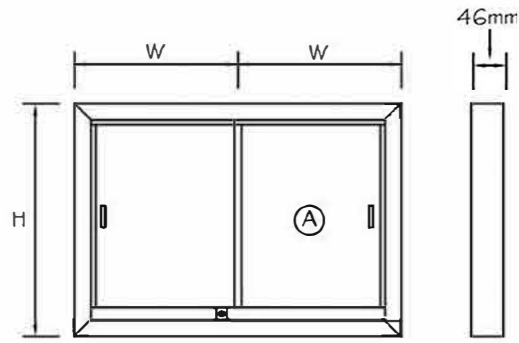
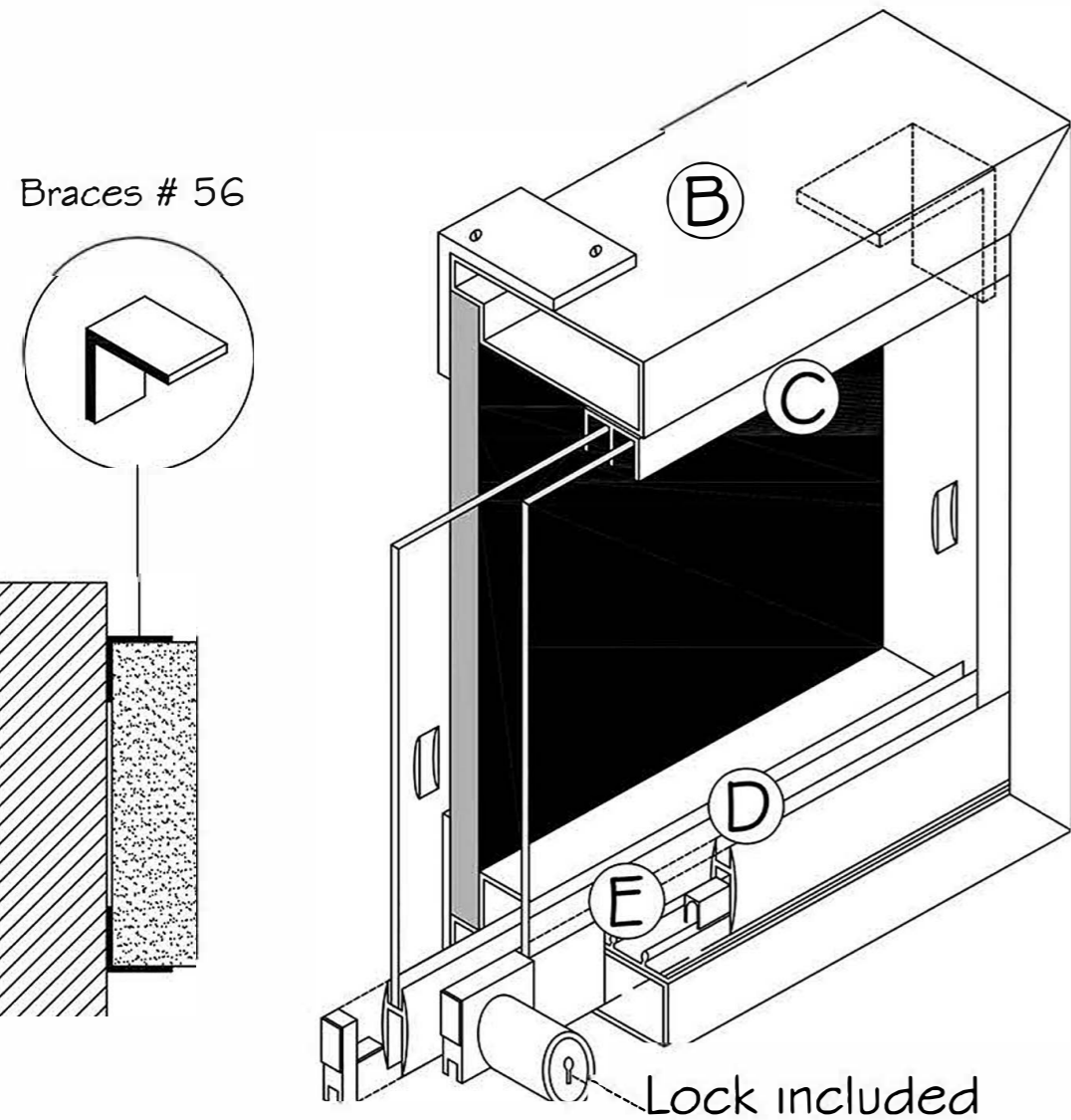


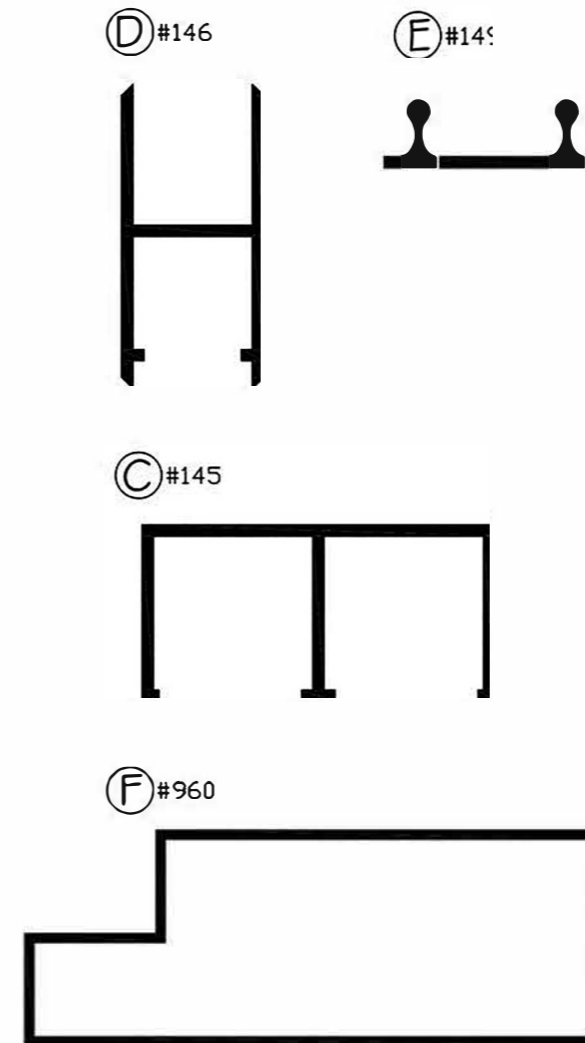
ELEVATION:



ISOMETRIC VIEW:



PARTS DETAILS:



DESCRIPTION:
 SERIES 670 GLASS ENCLOSED
 DIRECTORY BOARD CLEAR
 ANODIZED ALUMINUM FINISH
 1/4" TEMPERED SLIDING DOORS
 LOCK & 2 KEYS.

SIZE CODE:
 24" H X 36" W
 36" H X 48" W
 48" H X 48" W
 48" H X 60" W
 48" H X 72" W
 48" H X 96" W

FINISH:
 -NATURAL CORK
 -FORBO CORK

NOTES AND/OR APPROVAL



2301 East High Ave New Philadelphia, OH
 44663
 Phone: (330) 308 8667
 www.asi-visualdisplayproducts.com

PROJECT NAMES, LOCATION: DISPLAY
 CASE SLIDING DOORS

ARCHITECT:

CONTRACTOR.:

F:\ACADR\14\FILENAME PAGE NO.
 DISPLAY CASE SLIDING DOORS 1 OF 1

DRAWN BY: DATE:
 E. HIGUERA 14 JAN 2025