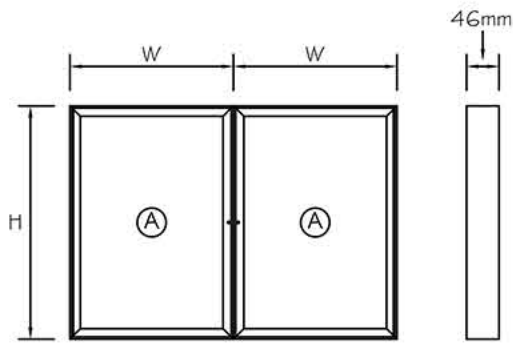
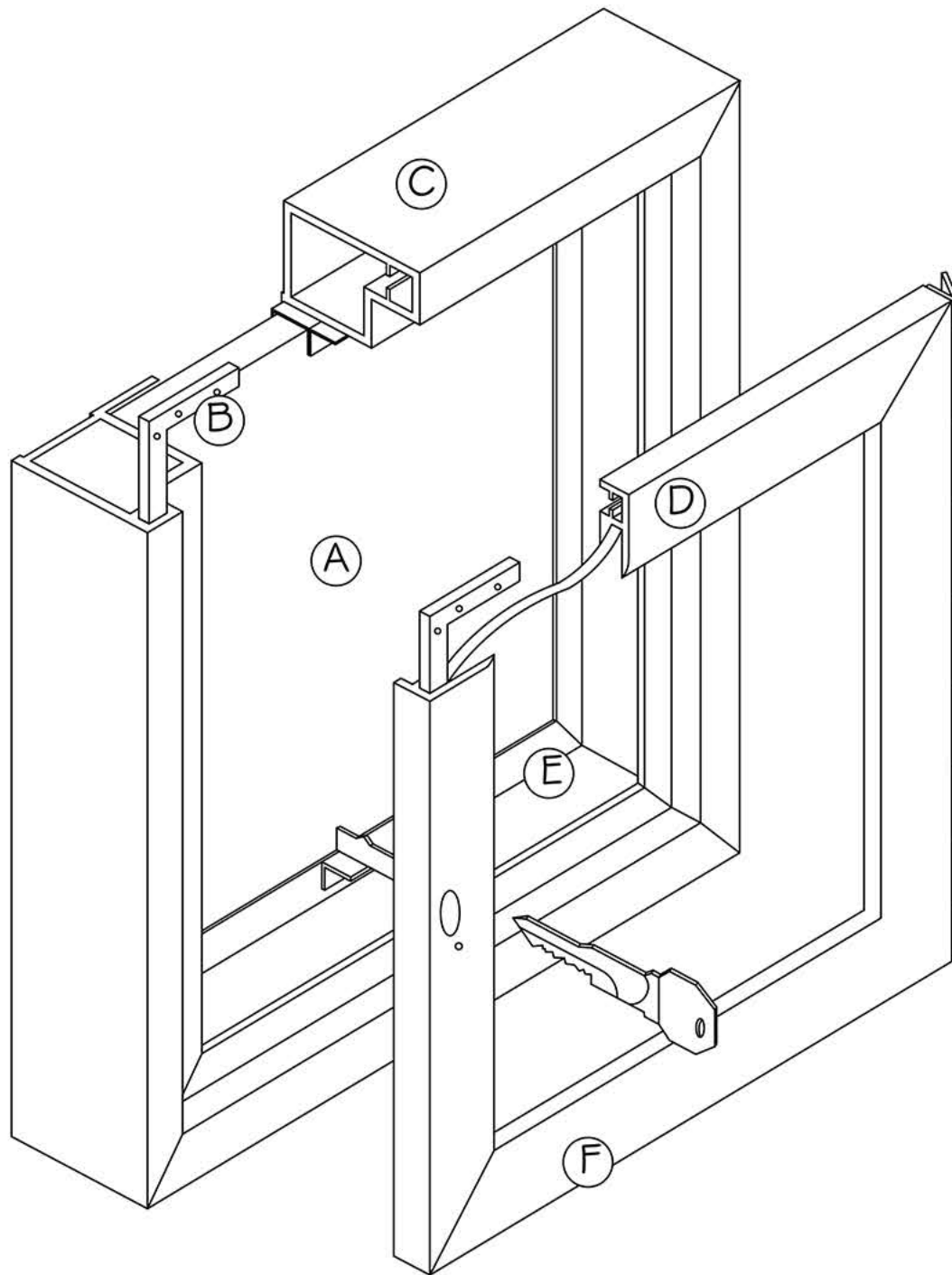


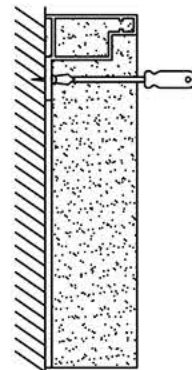
ELEVATION:



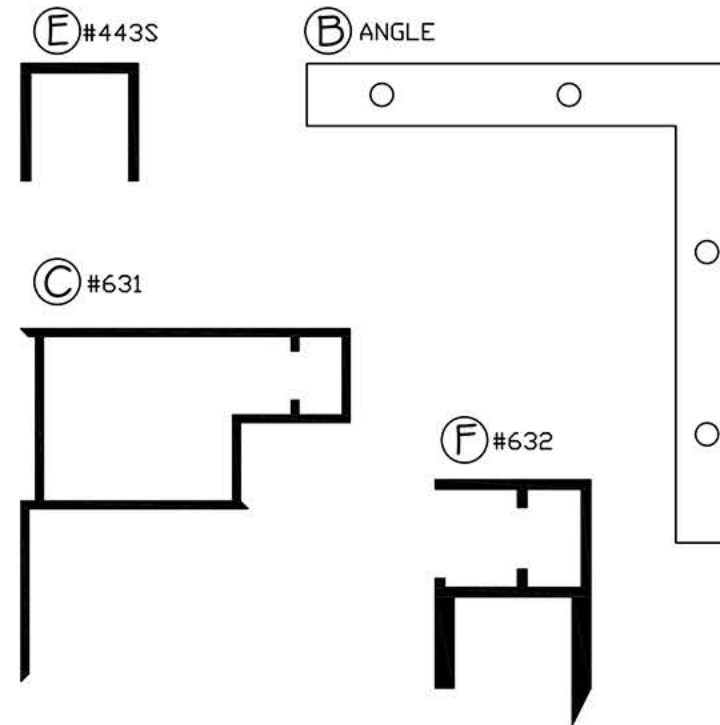
ISOMETRIC VIEW:



FASTENING



PARTS DETAILS:



DESCRIPTION:
 SERIES 640 GLASS ENCLOSED
 DIRECTORY BOARD CLEAR
 ANODIZED ALUMINUM FINISH 2
 DOORS PIANO HINGE, LOCK #
 2 KEYS 1/4" TEMPERED GLASS.

SIZE CODE:
 24" H X 18" W
 30" H X 24" W
 36" H X 24" W
 42" H X 30" W
 48" H X 30" W
 36" H X 36" W
 42" H X 36" W
 48" H X 36" W
 48" H X 42" W
 48" H X 48" W

FINISH:
 -NATURAL CORK
 -FORBO CORK

NOTES AND/OR APPROVAL



2210 DUNWIN DRIVE MISSISSAUGA, ONTARIO
 L5L 1C7
 PHONE: 1-833-632-0878
 WEBSITE: www.asi-visualdisplayproducts.com

PROJECT NAME & LOCATION:
 DISPLAY CASE DOUBLE DOOR

ARCHITECT:

CONTRACTOR:

F:\ACADR\14\FILENAME
 DISPLAY CASE DOUBLE DOOR

PAGE NO.
 1 OF 1

DRAWN BY:
 E. HIGUERA

DATE:
 13 MAY 2021