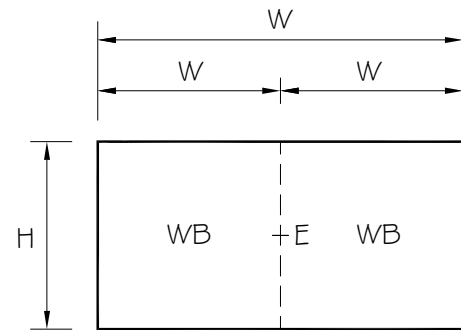
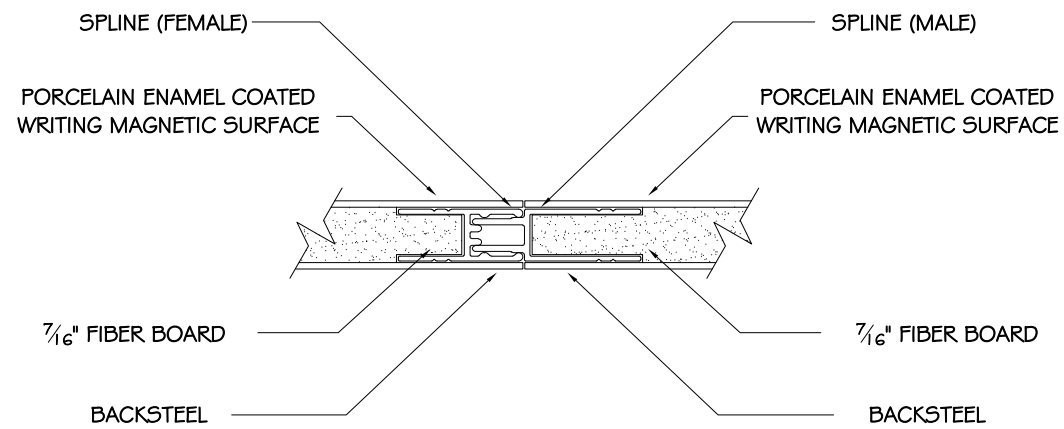


ELEVATIONS:



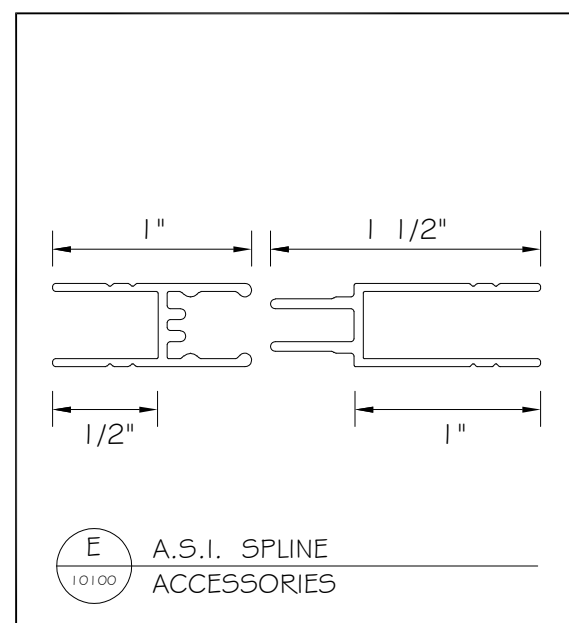
SECTIONS:



DESCRIPTION:

A.S.I. ALUMINUM SPLINE.  
CONTINUOUS INTERLOCKING TO FIT THE LENGTH OF  
ELEVATION.

DETAILS:



NOTES AND/OR APPROVAL



2210 Dunwin Drive Mississauga, Ontario L5L 1C7  
Phone: (905) 822-4287  
www.asi-visualdisplayproducts.com

F:\ACADR\14\FILENAME  
TDS SPLINE

PAGE NO.  
1 OF 1

DRAWN BY:  
U. HERNANDEZ

DATE:  
26 OCTOBER 2023