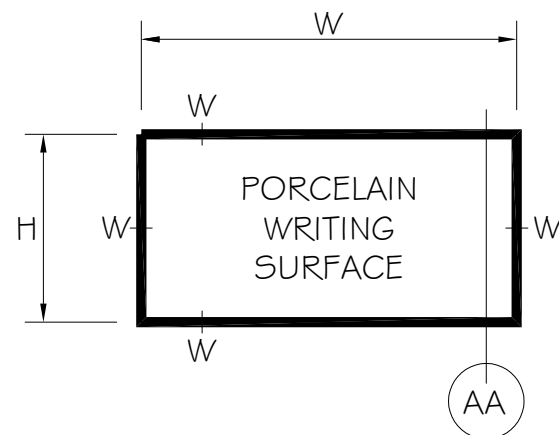


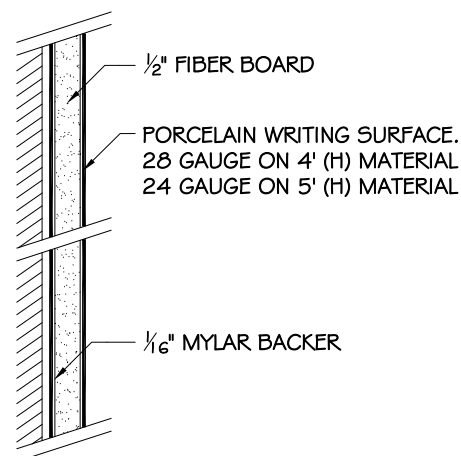
ELEVATIONS:

SQUARE CORNERS



SECTION AA

MARKERBOARD
OPTION 01

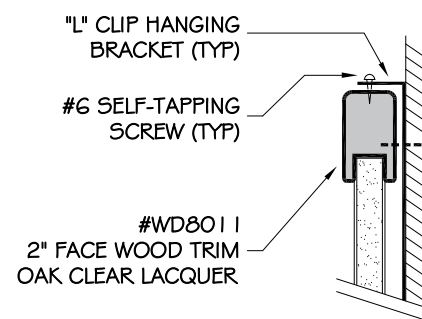


OPTIONAL COLORS:

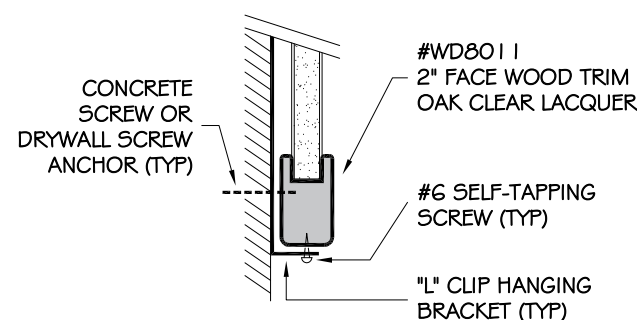
- 29 WHITE HIGH GLOSS
- 29L WHITE LOW GLOSS

TOP & BOTTOM TRIM DETAIL

WOOD TRIM "W":

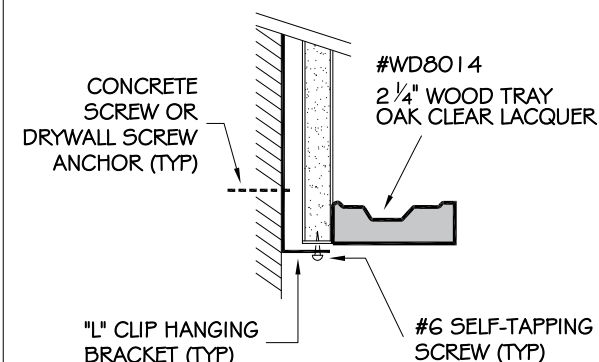


REGULAR TRIM "W":

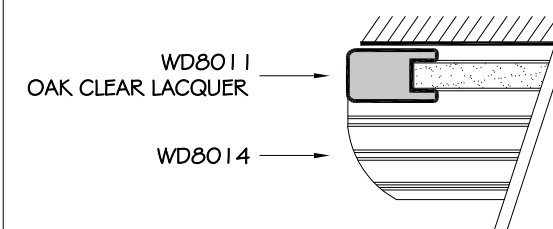


TRAY DETAIL

WOOD TRAY "WT":



TOP VIEW:



WOOD TRIM:

SERIES 9400 "WOOD TRIM"
FINISH: OAK CLEAR LACQUER
FACE TRIM: 2"

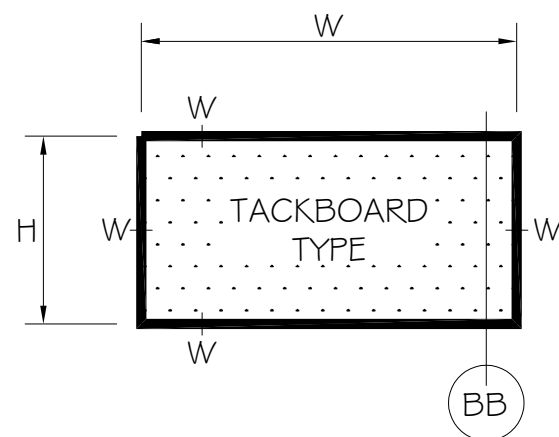
DESCRIPTION:

9400 SERIES "PRE-FRAMED"

- 01 - WHITEBOARDS
- 04 - NATURAL CORK TACKBOARDS

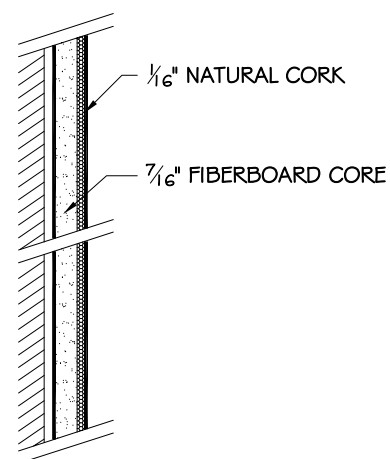
ELEVATIONS:

SQUARE CORNERS

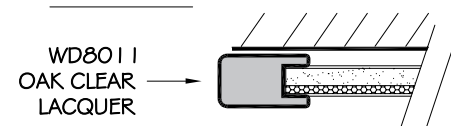


SECTION BB

NATURAL CORK TACKBOARD
OPTION 04



TOP VIEW:



NATURAL CORK:

- FINE GRAIN NATURAL CORK

PRODUCT CODE:

94	0X	XX	YXX	XXX
SERIES	BOARD	TRIM	SIZE	COLOUR

MOUNTING METHOD:

- "L" CLIP HANGING BRACKET (TYP)

NOTES AND/OR APPROVAL



2301 East High Avenue, New Philadelphia
OHIO 44663
Phone: (330) 308-8667
www.asi-visualdisplayproducts.com

F:\ACADR14\FILENAME TDS SERIES 9400 PRE-FRAMED	PAGE NO. 1 OF 1
---	--------------------

DRAWN BY:
U. HERNANDEZ

DATE:
15 APRIL 2025