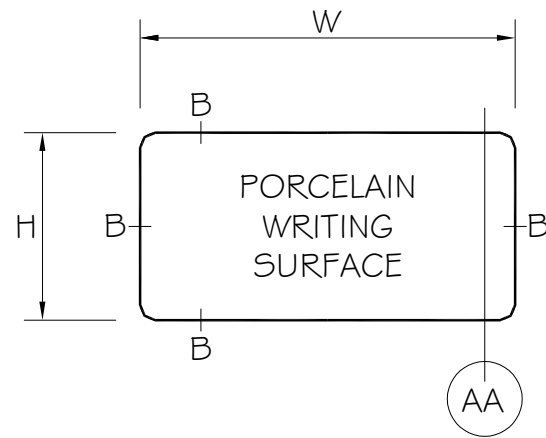


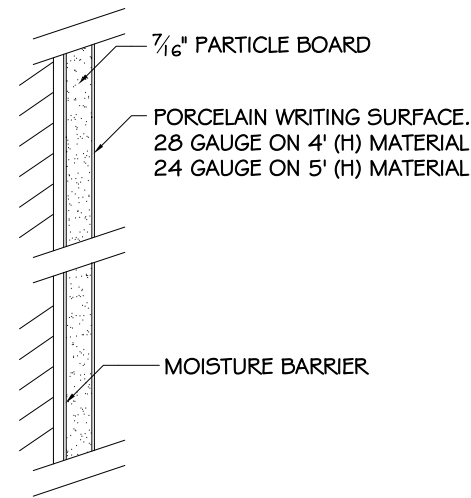
ELEVATIONS:

RADIUS CORNERS



SECTION AA

MARKERBOARD
OPTION 01

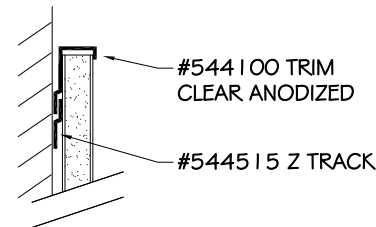


OPTIONAL COLORS:

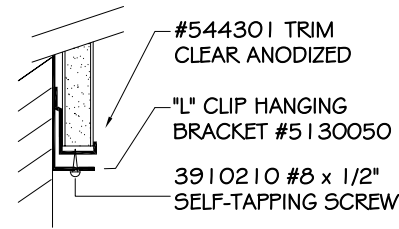
- 29 WHITE HIGH GLOSS
- 29L WHITE LOW GLOSS

TOP & BOTTOM TRIM DETAIL

REGULAR TRIM "B":

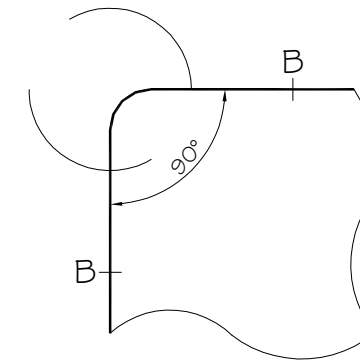


REGULAR TRIM "B":



CORNER DETAIL

RADIUS CORNER



ALUMINUM TRIM:

SERIES 9100 "SLIM TRIM"
FINISH: CLEAR ANODIZED
FACE TRIM: 1/4"

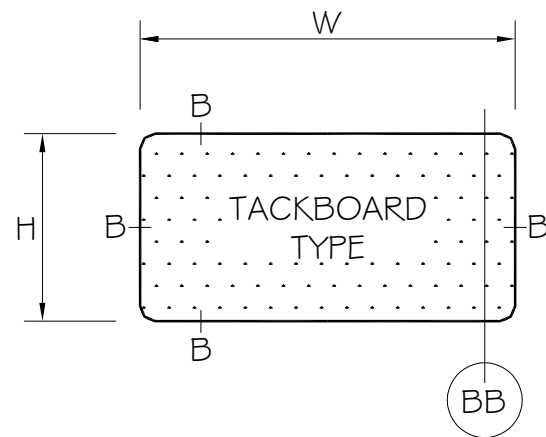
DESCRIPTION:

9100 SERIES "PRE-FRAMED" - RADIUS CORNERS

- 01 - WHITEBOARDS
- 02 - FABRIC TACKBOARDS
- 05 - VINYL TACKBOARDS

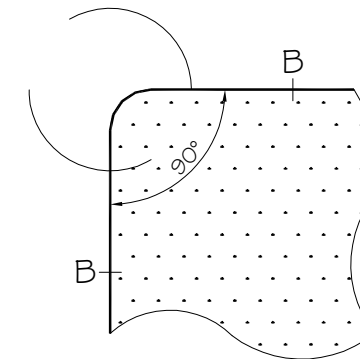
ELEVATIONS:

RADIUS CORNERS



CORNER DETAIL

RADIUS CORNER



PRODUCT CODE:

91	0X	XX	YXX	XXX
SERIES	BOARD	TRIM	SIZE	COLOR

MOUNTING METHOD:

- "Z" TRACK #544515
- "L" CLIP HANGING BRACKET #5130050

NOTES AND/OR APPROVAL



2301 East High Ave New Philadelphia, OH 44663
Phone: (330) 308 8667
www.asi-visualdisplayproducts.com

F:\ACADR\4\FILENAME
TDS SERIES 9100 PRE-FRAMED

PAGE NO.
1 OF 1

DRAWN BY:
J. UGARTE

DATE:
15 NOVEMBER 2024